

3-PC Casting Ball Valve Full Port, Mounting Pad, 2000-1500 WOG, High Performance

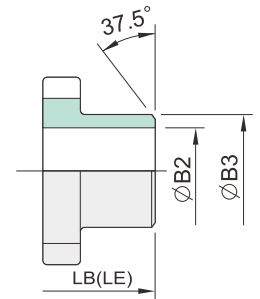
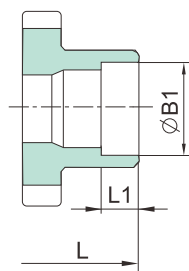
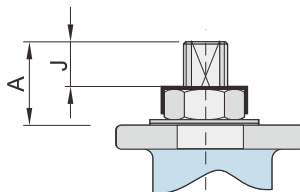
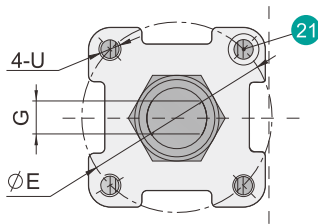
KV-080, KV-081, KV-081-L, KV-082 (Bracket Mount Type)
KV-080F, KV-081F, KV-081F-L, KV-082F (Bracket Mount Type / Fire Safe Type)

FEATURES:

- **Fire Safe** Design Approved
- Built-in ISO 5211 Mounting Pad for Easy Automation
- Anti-Static Devices for Ball-Stem-Body
- Blow-out Proof Stem
- Pressure Balance Hole in Ball Slot
- Pre-load 2 Belleville Washers to Self-adjust Packing
- Double Stem Sealing Acc. to TA-Luft
- Casting Approved by TÜV AD 2000 - Merkblatt W0

APPLICABLE STANDARDS:

- Design : MSS SP-110
2000 WOG for 1/4" ~ 1"
1500 WOG for 1-1/4" ~ 2"
- Fire Safe : API 607 5th 2005, ISO 10497
- Pipe Thread **KV - 080** : ASME B1.20.1
DIN 2999 / 259, ISO 228 / 1
JIS B 0203, ISO 7 / 1
- Butt Weld **KV-081**: ASME B16.25 (ØB2 Sch 80)
- Extended Butt Weld **KV-081-L**: ASME B16.25 (ØB2 Sch 80)
- Socket Weld **KV - 082** : ASME B16.11
- Inspection & Testing :MSS SP-110

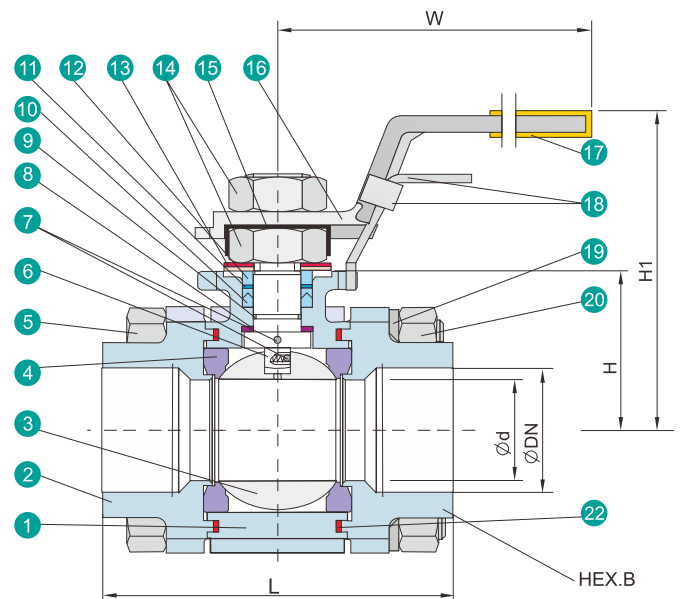


SOCKET WELD END

LB (Butt-welding Ends)
LE (Extended Butt-welding Ends)

NO.	PART NAME	MATERIALS		
1	Body	CF8M	CF8	WCB
2	Cap (Thread)	CF8M	CF8	WCB
	Cap (Welding)	CF3M	CF3	
3	Ball	CF8M	CF8	
4	Ball Seat	TFM4215		
5	Bolt	A193 - B8 / A2-70		
6	Stem	316	304	
7	Anti-Static Device	316	304	
8	Thrust Washer	PTFE		
9	O-ring	FKM		
10	Stem Packing	PTFE		
11	Bushing	50%SS + 50%PTFE / 304*		
12	Gland	316		
13	Belleville Washer	301		
14	Stem Nut	A194 - 8		
15	Stop-Lock-Cap	304		
16	Handle (1/4"~2")	304		
17	Handle Sleeve (1/4"~2")	Vinyl Plastic		
18	Locking Device (1/4"~2")	304		
19	Bolt Washer	304		
20	Bolt Nut	A194 - 8 / A2-70		
21	Stop Bolt	A2-70		
22	Body Gasket	PTFE / GRAFOIL*		

*Materials for FIRE-SAFE Models



Unit: mm

SIZE	d	L	LB	LE	H	H1	W	E	G	U	A	J	L1	B1	B2	B3	HEX.B	ISO 5211
1/4"	10.6	70	70	165	30.0	76	135	42	6.3	M5	17.3	10.4	11	14.0	7.6	18	23.5	F04
3/8"	12.7	70	70	165	30.0	76	135	42	6.3	M5	17.3	10.4	11	18.0	10.7	18	23.5	F04
1/2"	15.0	75	75	165	36.0	83	135	42	6.3	M5	20.3	11.8	11	22.0	13.9	22	28.0	F04
3/4"	20.0	80	90	190	39.5	83	135	42	6.3	M5	20.3	11.8	13	27.1	18.8	28	34.0	F04
1"	25.0	90	100	216	45.5	98	170	50	9.0	M6	23.3	12.5	13	33.8	24.3	34	46.0	F05
1-1/4"	31.8	110	110	229	50.0	103	170	50	9.0	M6	23.3	12.5	13	42.6	32.5	43	55.0	F05
1-1/2"	38.1	120	125	241	60.0	110	200	70	9.6	M8	30.0	15.1	13	48.6	38.1	50	57.0	F07
2"	50.0	140	150	292	68.0	119	200	70	9.6	M8	30.0	15.1	16	61.2	49.2	61	73.0	F07